

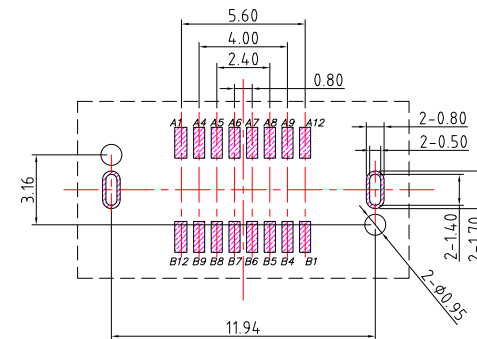
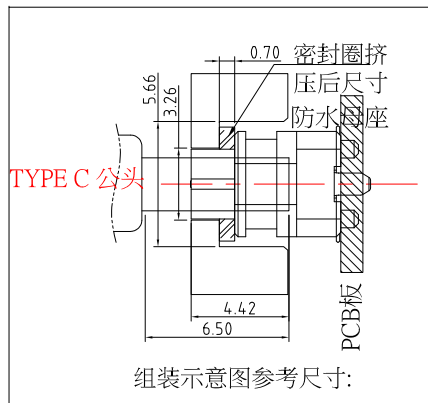
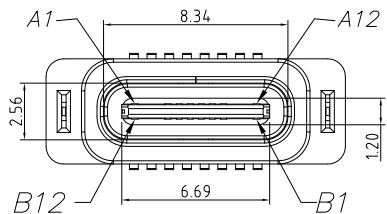
# IPX8



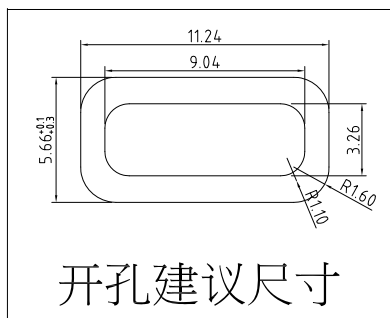
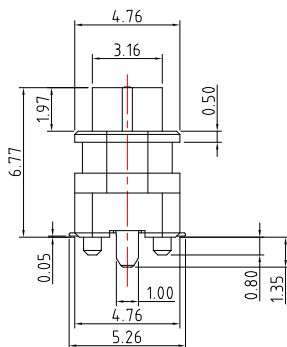
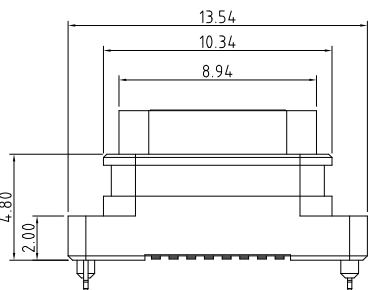
## SBC-WP160VS3-20x-S410

鍍層厚度:

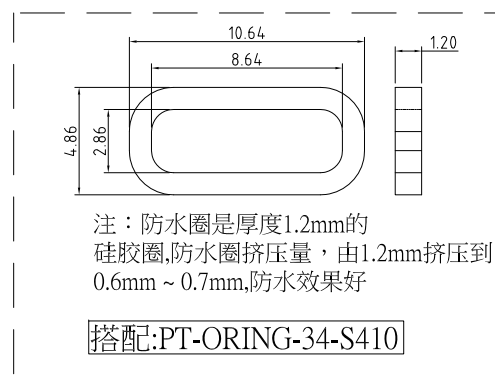
|       |        |
|-------|--------|
| Blank | : 1u"  |
| 2     | : 15u" |
| 3     | : 30u" |



RECOMMENDED PCB LAYOUT

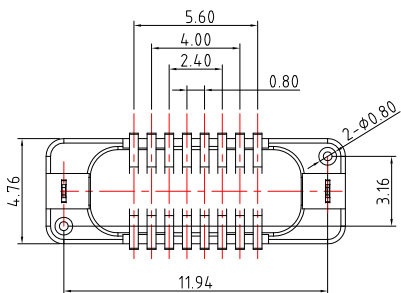


开孔建议尺寸



注：防水圈是厚度1.2mm的硅胶圈,防水圈挤压力,由1.2mm挤压到0.6mm~0.7mm,防水效果好

搭配:PT-ORING-34-S410



INTERFACE(FRONT VIEW)

|     |     |     |      |      |     |     |      |      |     |     |     |
|-----|-----|-----|------|------|-----|-----|------|------|-----|-----|-----|
| A1  | A2  | A3  | A4   | A5   | A6  | A7  | A8   | A9   | A10 | A11 | A12 |
| GND |     |     | VBUS | CC1  | DP1 | DN1 | SBU1 | VBUS |     |     | GND |
| GND |     |     | VBUS | SBU2 | DN2 | DP2 | CC2  | VBUS |     |     | GND |
| B12 | B11 | B10 | B9   | B8   | B7  | B6  | B5   | B4   | B3  | B2  | B1  |

PIN ASSIGNMENT

|             |        |       |      |     |     |     |     |     |      |     |       |        |
|-------------|--------|-------|------|-----|-----|-----|-----|-----|------|-----|-------|--------|
| PIN NO.     | A1&B12 | A4&B9 | B8   | A5  | B7  | A6  | A7  | B6  | A8   | B5  | A9&B4 | A12&B1 |
| SIGNAL NAME | GND    | VBUS  | SBU2 | CC1 | DN2 | DP1 | DN1 | DP2 | SBU1 | CC2 | VBUS  | GND    |
| PCB PAD NO. | C1     | C2    | C3   | C4  | C5  | C6  | C7  | C8  | C9   | C10 | C11   | C12    |

### SPECIFICATIONS

#### Electrical:

- 1.Rating: 5.0 A
- 2.Contact Resistance: 40 mΩ Max
- 3.Insulation Resistance: 100 MΩ Min

#### Mechanical:

- 1.Connector Mate and Unmate Force
  - 1.1 Mate force: 5~20 N
  - 1.2 Unmate force: 8~20 N

#### Material:

- 1.Housing: PA9T
- 2.Contact: C7025
- 3.Shell: SUS

#### Finish:

- 1.Contact: Plated Gold in Mating Area ;  
Gold Plated on Solder Balls ;  
Nickel under plated overall
- 2.Shell: Nickel under Plated surface layer

**CONTACT** 建倚科技股份有限公司  
CONTACT TECHNOLOGY CORP.

TOLERANCE UNLESS OTHERWISE STATED:  
Up to 5 ±0.2  
Above 5 ~ 15 ±0.3  
Above 15 ~ 30 ±0.4  
Above 30 ~ 50 ±0.5

3RD. ANGEL'S



UNITS MM

|              |          |           |          |                                      |
|--------------|----------|-----------|----------|--------------------------------------|
| DRAWN BY:    | DATE     | MAT'L     | TITLE    | CONNECTOR                            |
| Jack Lu      | 06/29/23 | FINISH    | MODLE    | USB C TYPE 180度 SMT 2.0 Female H6.77 |
| CHECKED BY:  | DATE     | SCALE     | DWG NO.  | SBC-WP160VS3-20x-S410                |
| Jacky Chen   | 06/29/23 | 1 : 1     | PART NO. | SBC-WP160VS3-20x-S410                |
| APPROVED BY: | DATE     | SHEET NO. | 1 of 1   |                                      |
| Tony Kao     | 06/29/23 |           |          |                                      |

|          |             |       |      |
|----------|-------------|-------|------|
| ITEM NO. | DESCRIPTION | DRAWN | DATE |
|          |             |       |      |